



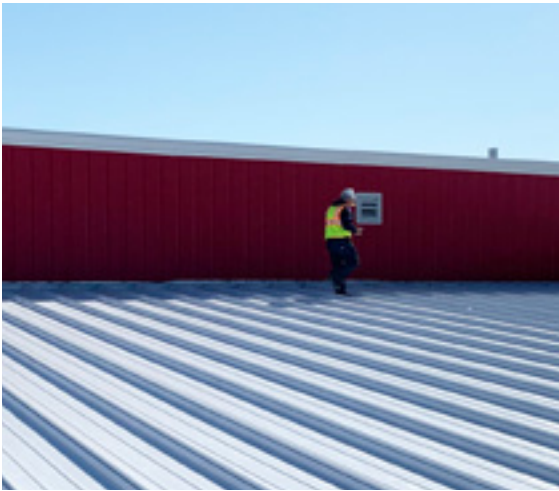
SUPER SEAM PLUS

Super Seam Plus is a mechanically seamed roof panel.

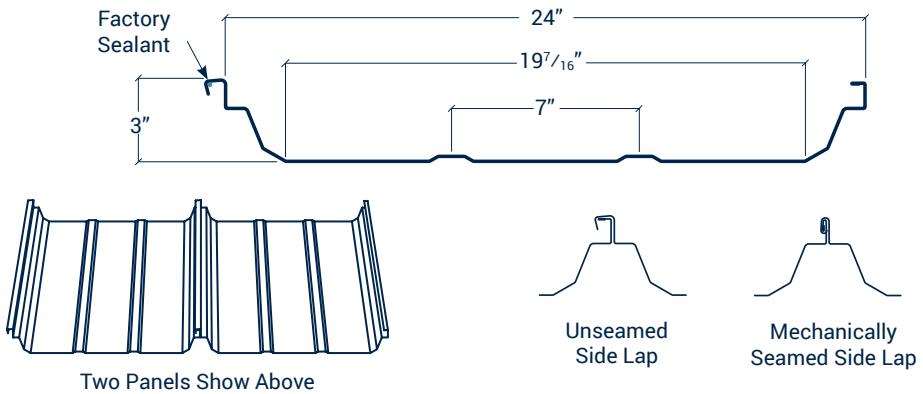
It is available in 24 gauge only.

- UL Construction No. 180C, 287, 308A, 450, 538, 539, 540

- UL 580 Up-Lift tested / Class 90 Rated
- UL 2218 Hail Impact Resistant Tested
Inclined: Unlimited / Impact Class 4
- Florida Product Approval*
- Texas Department of Insurance*



Roof Systems Project



DESIGN PROPERTIES								
Panel Gauge	Fy (KSI)	Weight (PSF)	NEGATIVE BENDING			POSITIVE BENDING		
			lxe (IN. 4/FT.)	Sxe (IN. 3/FT.)	Maxo (KIP-IN.)	lxe (IN. 4/FT.)	Sxe (IN. 3/FT.)	Maxo (KIP-IN.)
24	50	1.23	0.1507	0.0989	2.9619	0.3224	0.1308	3.9166
22	50	1.56	0.2059	0.1394	4.1741	0.4205	0.1709	5.1171

NOTES:

1. All calculations for the properties of Super Seam Plus panels are calculated in accordance with the North American Specification For Design Of Cold-Formed Steel Structural Members.